



**LED BULB S5055**

# LED Bulb Features

## Features

### 1.Unique magnesium alloy hosing design.

Good thermal dissipation and elegant appearance.

### 2.High light efficient and energy saving

Replacement of 50 W Halogen lamp which saves 80% energy.

### 3.Long Life-span

With top-quality LEDs to make sure the life-span up from 35,000 to 50000 hours

### 4.Top quality light effect

There is no UV or IR in the beam, making it suitable for illuminating heat-sensitive objects (food, organic materials, paintings, etc.)

### 5.Environmentally friendly

These lamps are energy efficient, contain no lead or mercury and are RoHS compliant.

### 6.Patented design of the driver

The driver which designed and manufactured by ourselves enables the whole performance of the lamp including the life span, energy consumption and electrical parameter in high level.

## Drawing



### \*Notes:

1. All dimension units are millimeters.
2. All dimension tolerance is  $\pm 2\text{mm}$  unless otherwise noted.

# Application

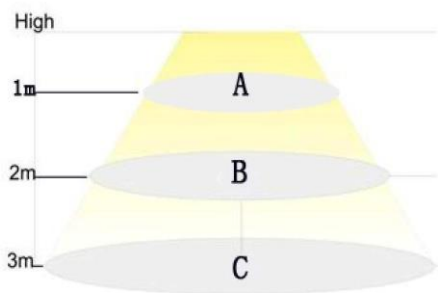
- Wide spread use in Family, School
- Office, Showing Room, Meeting Room
- Commercial Building, Tower, Hotel, Restaurant



# Parameter

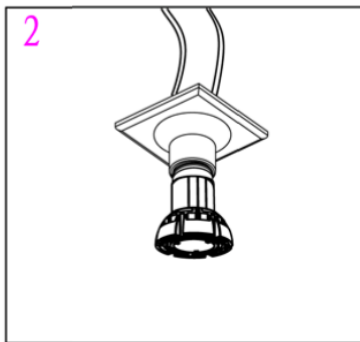
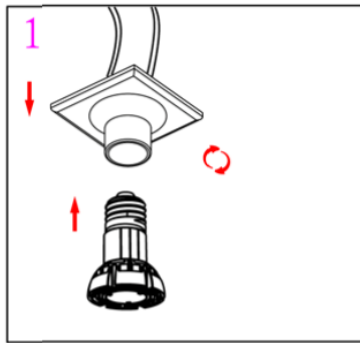
Products	Power	Size	Luminous Flux	Input Voltage	Beam Angle	Color Temp	Lighting efficiency	Specification & material
OED-S5055-6W-CW	6W	50x55*	350-400lm	AC85-265V	60°	6500k	≥ 65	PC+ Aluminium

# Luminance



A	2720 lux
B	1275 lux
C	255 lux

# Installation



# Safe Information

Please read the User's Manual Carefully before using.  
Please reserve the User's Manual for future reference

**Notice:**

Please install the product according to the location of cable and room;  
Any caustic or deliquescent chemicals will destroy the hull of the lamp;

