

B001 & B002—High Brightness LED Bulb

High Brightness LED as light source

Milky cover with light transmission rate at 87.5%

Excellent light distribution without any shadow

TUV, CE certificated & RoHS compliant

E26 and E27 base are available for choice



LED Bulb Features

High-class aluminum alloy shell ensure the sufficiently heat dissipation; PC frosted cover ensure the uniform lighting and high lighting effect, light transmittance can reach 87.5%. Electroplating mirror surface, which is connecting the aluminum shell by the shining circle, the whole lamp looks glitter luxurious and royal, high color rendering Index, high Lamination, long using life, easy installation etc. Adopt LED's unbleached light, without color glass filter ensure the high-usage of light; widely optical radiation ensure the excellent performance. Top quality Environmental protection materials are used, according to the requirement of RoHS.

Lower heat radiation

Generate very low heat in normal working conditions; the temperature of power supply is not higher than the ambient temperature 5 ° C, light-emitting surface temperature is not higher than the ambient temperature 20 ° C.

High Brightness

The illumination for 4W bulb white color is equivalent to 30W incandescent bulbs in normal working conditions; 6W is equivalent to 45W.

Long Life-span

Adopt advanced energy-saving idea in Circuit design, built-in rectifier filter circuit ensures the sustainability of light-emitting body of work.

Low Power Consumption

The bulbs are 70% more energy saving than conventional fluorescent lamp, in condition of the same luminous flux density.

High illumination level

Soft light without flicker and glare, make your eyes comfortable.

Enduring and Durable

No harm from radiation

No IR and UV radiation, which does not harm human or animal.

Fast start, no noise

The start speed for LED lamp is faster than conventional fluorescent lamp, with flicker-free.

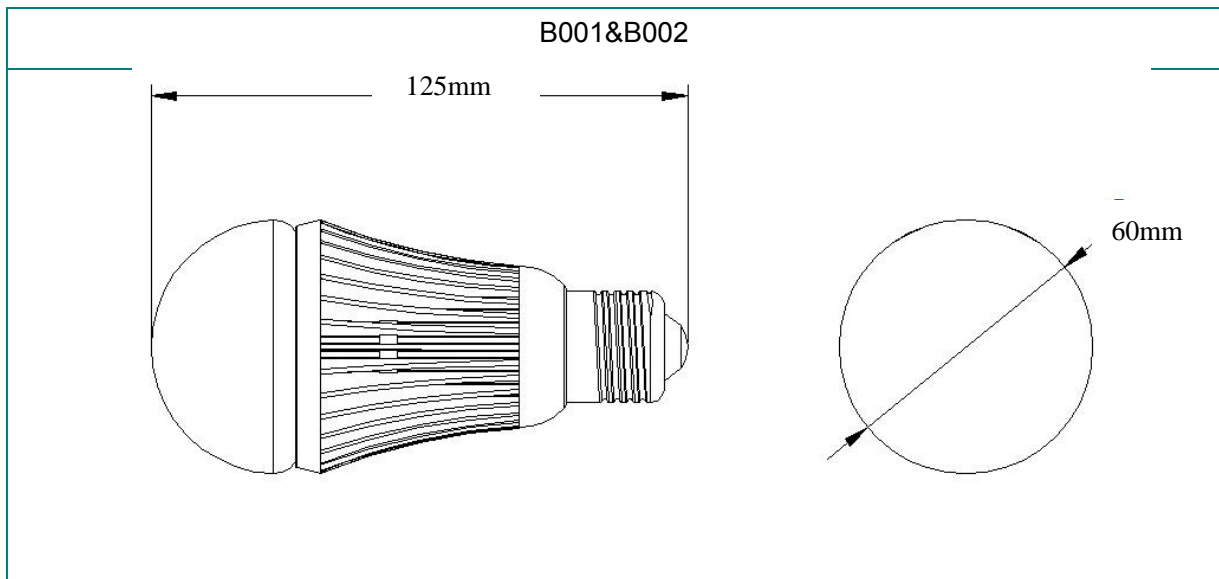
Various colors

Soft and genuine light with high color rendering,

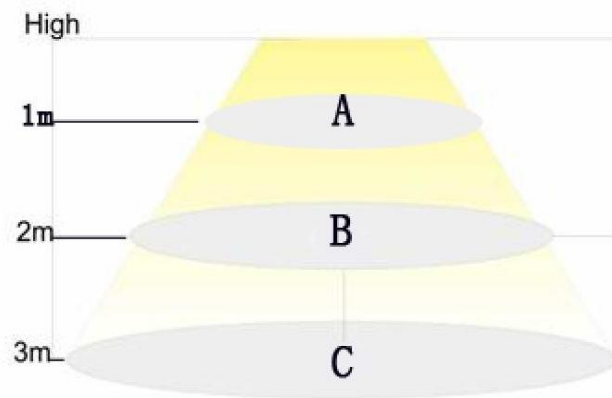
Environmental Friendly

No Pb and Hg, no pollution.

Drawing



Luminance



	4W		6W	
	white	Warm white	white	Warm white
A	55lux	40lux	110lux	95lux
B	13lux	10lux	22lux	19lux
C	6lux	5lux	11lux	9lux

Characteristics

Products	Color	Color Temperature	Input Voltage	Power	Luminous Flux (Φ)	Beam Angle	Light Base	Life-span	Diameter
B001	White	5000-6000K	AC85-265V	6W	485lm	160°	E27/E26	50,000H	60mm
	Warm White	2800K-3200K		6W	445lm				
B002	white	5000-6000K	AC85-265V	4W	300lm	160°	E27/E26	50,000H	60mm
	Warm white	2800K-3200K		4W	290lm				

Application

- Widespread use in Family, School
- Office, Showing Room, Meeting Room
- Commercial Building, Tower, Hotel, Restaurant
- Factory, Production Line, Warehouse
- Pathway lighting, Street lighting
- Subway station, bus and train



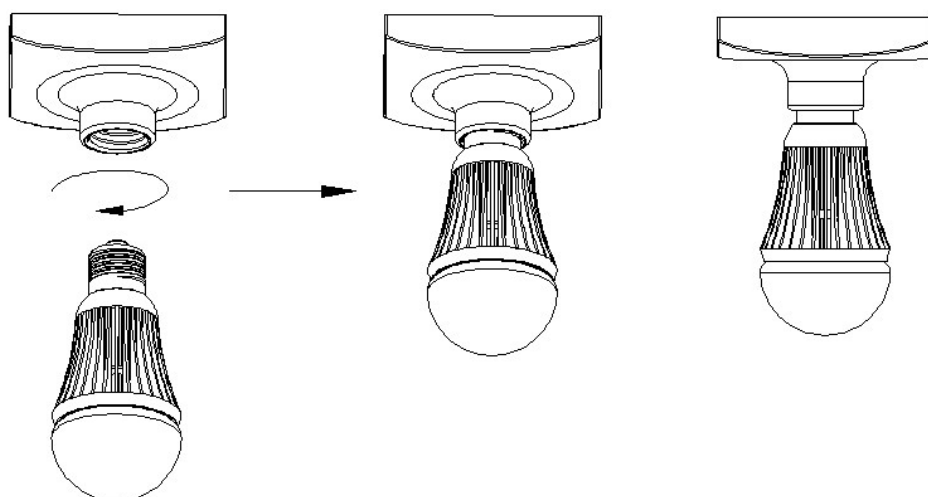
Safe Information

Please read the User's Manual Carefully before using.
Please reserve the User's Manual for future reference.

Notice:

Please install the product according to the location of cable and room;
Any caustic or deliquescent chemicals will destroy the hull of the lamp;

Application:



Caution

Please take care of Fire, Electric Shock and Spill;

Please do not turn on high voltage power before using, and ensure the lamp earthing
Any non-professionals are not allowed to disassemble the lamp.

