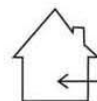


LED PAR LIGHT



Features

1. Unique Aluminum extrusion-type heat dissipation design.

Can dissipate the extra heat which come from the lamp effectively.enure that after 35000 lighting hours,the whole luminous flux can still up to 80%

2. Super brightness LED as light source

The High power Led and Cree Led that we use was imported from Taiwan and America.To make sure the final products with higher quality.

3. Top quality light effect

There is no UV or IR in the beam, making it suitable for illuminating heat-sensitive objects (food, organic materials, paintings, etc.)

4.Environmentally friendly

These lamps are energy efficient, contain no lead or mercury and are RoHS compliant.

5.Patented design of the driver

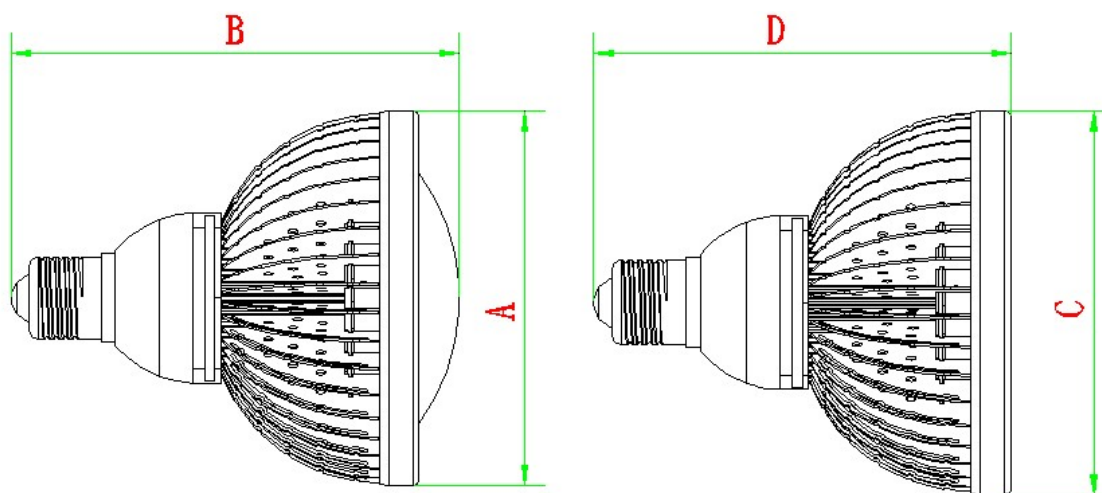
The driver which designed and manufactured by ourselves enables the whole performance of the lamp including the life span, energy consumption and electrical parameter in high level.

6.Long lifespan

The lighting hours can achieve at 50000hours,can save up more than 70% energy comparing with traditional lamps.

7. Easy to install and use

Drawing

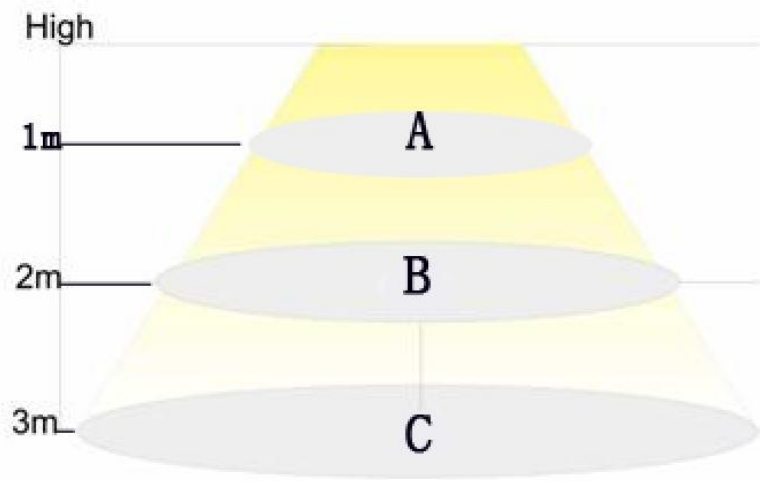


Notes:

1. All dimension units are millimeters.
2. All dimension tolerance is $\pm 2\text{mm}$ unless otherwise noted.

	A (mm)	B (mm)	C (mm)	D (mm)
P001	95	108	----	----
P002	----	----	95	103
P003	----	----	120	131
P004	120	143	----	----
P005	----	----	120	131
P006	120	143	----	----

Illumination:



	P001 (6*1W)	P001 (6*2W)	P002 (6*1W)	P002 (6*2W)	P003 (9*2W)	P004 (9*2W)	P005 (12*1W)	P006 (12*1W)
A	1500	6000	1000	3000	8000	6000	6000	5000
B	500	1500	300	650	2500	1500	1500	1200
C	200	600	100	250	700	600	600	500

Characteristics

Absolute Maximum Rating at TA=25°C

Parameter	Symbol	Absolute Maximum Rating	Unit
Forward Current	IF	----	mA
Power Dissipation	PD	----	W
Electrostatic discharge	ESD	800	V
Operating Temperature	Topr	-25~+60	°C
Storage Temperature	Tstg	-40~+80	°C

Electrical / Optical Characteristics at TA=25°C

	P001 (6*1W)	P001 (6*2W)	P002 (6*1W)	P002 (6*2W)	P003 (9*2W)	P004 (9*2W)	P005 (12*1W)	P006 (12*1W)	
Power (W)	6	12	6	12	18	18	12	12	
Input Voltage (V)	85-265	85-265	85-265	85-265	85-265	85-265	85-265	85-265	
LED Working Voltage(V)	18-24	18-24	18-24	18-24	27-36	27-36	36-48	36-48	
LED Working Current(mA)	320	550	320	550	550	550	650	650	
LED type	1W	2W	1W	2W	2W	2W	1W	1W	
CRI	>75	>75	>75	>75	>75	>75	>75	>75	
Luminous Flux (LM)	Pure White	450	600	400	550	1360	1360	1000	750
	Warm White	420	560	380	500	1180	1180	850	700
Beam Angle(°)	140	140	25	25	25	140	25	140	

Notes: Tolerance of measurement of luminous intensity±15%.

LED PAR light VS Traditional filament lamp

(Estimating with 1000pcs)

Comparison Item	Parameters Comparison	
	LED PAR light 6W	Filament Lamp 60W
Lifespan	≥50000hours	About 1000 hours
Power Consumption KWH/day 12 H/ day	72 KWH	720 KWH
Electric Charge (Average price) 1CNY/KWH	26280 CNY	262800 CNY
Maintenance charge	No	100 CNY
Environmental protection charge	No chemical pollution	With mercury,lead and manganeses etc
Cost Saving Per year (RMB)	236520 CNY	No
Remark	The maintenance above without the salary for the maintainer	

Typical Application

Widely used in applications such as Home shop drinkery, hotel, hall, chamber, villa and other slap-up locations to illuminate and decorate. Store revelation, showcase, restaurant and other indoor decorations and lighting; revelation hall, art,



Home

Hotel

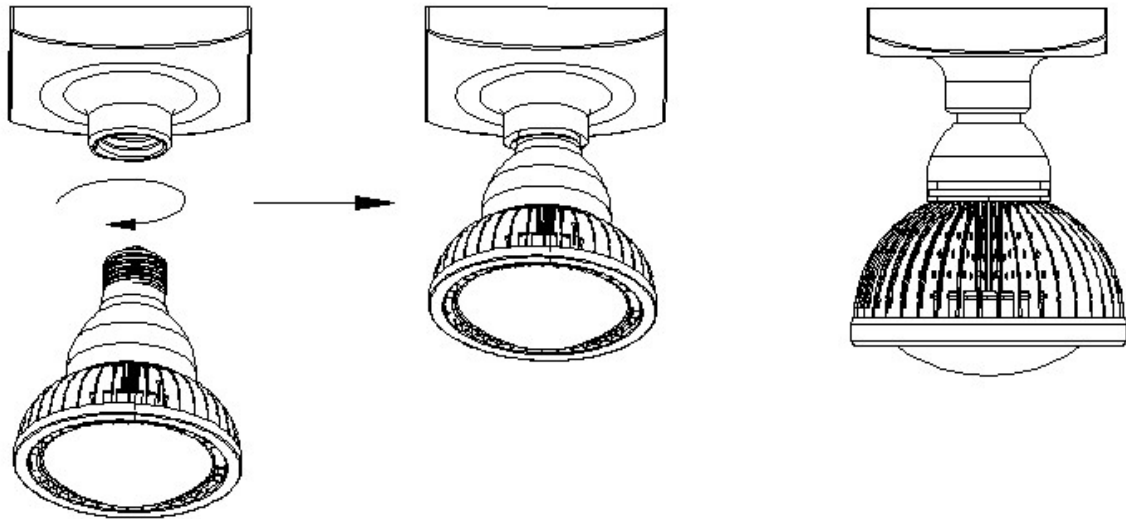


Supermarket

Bank



Installation:



Use Manual:

- 1) , Please read the Manual first to make sure the using condition is fit.
- 2) , Please turn off the power before connect the product, then turn on.
- 3) , Don't connect the spotlight exceed the rated voltage
- 4) , Indoor use only.

