

Class 1 LED Power Supply

PS12-100W-100-277V



Features and Benefits

- Wide input AC voltage range 100-277V 50/60Hz
- Constant DC Voltage Output
- Active Power Factor Correction (0.96 Typical)
- Operating temperature -35°C to +70°C (-31°F to +158°F)
- Over temperature, over-voltage, over-current and short-circuit protections
- UL certified for use in wet, damp and dry locations
- IP67 Rating
- UL8750 & EN61347 Safety Standards
- Compliant with FCC Part 15 Class B, ANSI C63.4 : 2009 for EMI/RFI (conducted and radiated) at full load
- 5-year limited warranty



Ordering Information (subject to change without notice)

Ordering Code	Input Voltage (VAC)	Output Voltage (VDC) ¹	Max. Output Current (A)	Max. Output Power (W)	Typical Efficiency ²	Typical Power Factor		Max Inrush Current (A) ³	Average Rated Life ⁴	Net Weight (lb)/(kg)
						110VAC	220VAC			
PS12-100W-100-277V	100-277 VAC	12	8.33	100	91%	0.99	0.96	65A	50,000 hrs	2.09/0.95

- Notes:**
- (1) Tolerance ± 0.6V
 - (2) Measured at full load and 220V AC input.
 - (3) Measured at 230V AC input and 25°C cold start
 - (4) Measured at 220V AC input, 80% load, case temperature 65°C at Tc point; Case temperature shall not exceed 70°C in application.

Ordering Guide

PS	12	-100W	-100-277V
Power Supply	Output Voltage	Output Wattage	Input Voltage Range

Wire Gauge Chart

Wire Gauge (AWG)	26	24	22	20	18	16	14	12	10
Maximum Distance* (ft)	3	4	7	11	18	29	46	71	120
(m)	0.91	1.22	2.13	3.35	5.49	8.84	14.02	21.64	36.58

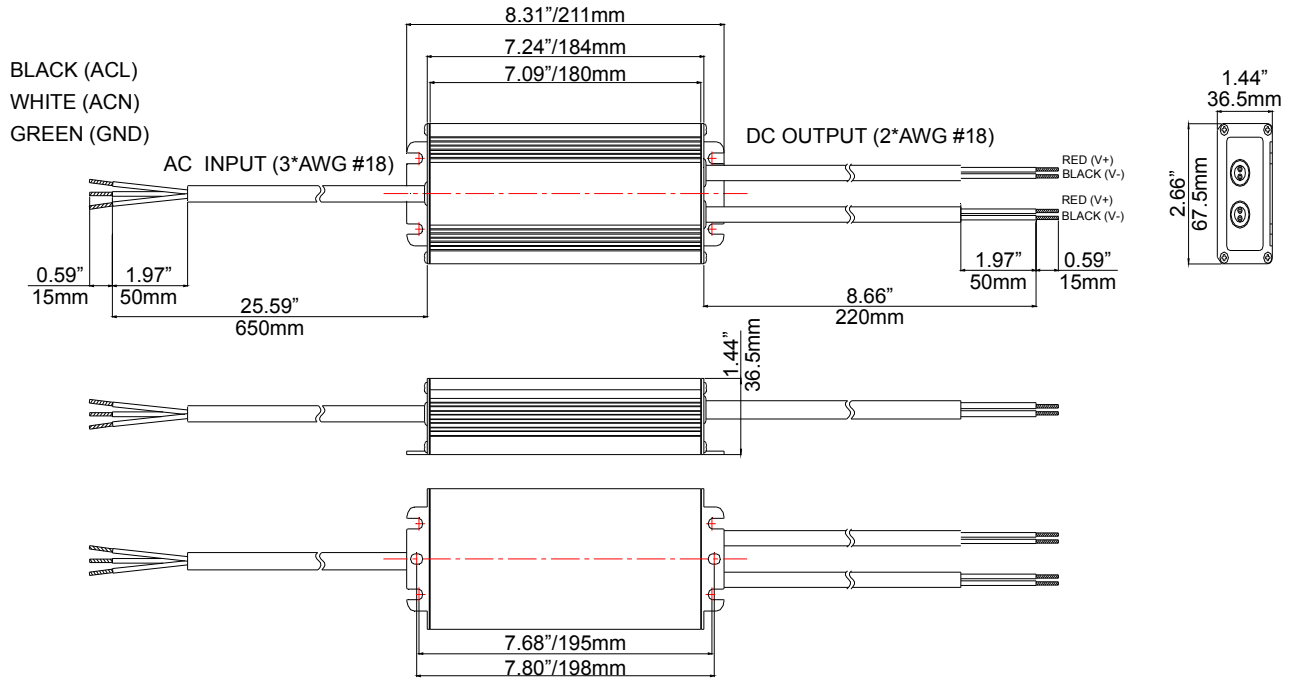
*Distance from power supply to load (at full capacity)

Safety & EMC Compliance

Safety Category	Country	Standard
CUL	USA & Canada	UL8750 Compliance to UL1012 UL935, CAN/CSA-C22.2 No. 0, CSA-C22.2 No. 107.1, CSA-C22.2 No. 250.0
CE	Europe	EN61347- 1, EN61347- 2-13
EMI Standards		Notes
EN 55015		Conducted emission Test & Radiated emission Test with 6 dB margin
EN 61000-3-2		Harmonic current emissions: Class C
EN 61000-3-3		Voltage fluctuations & flicker
EN 61000-4-2		Electrostatic Discharge (ESD): 8 kV air discharge, 4 kV contact discharge
EN 61000-4-3		Radio-Frequency Electromagnetic Field Susceptibility Test-RS
EN 61000-4-4		Electrical Fast Transient / Burst-EFT
EN 61000-4-5		Surge Immunity Test: AC Power Line: line to line 2 kV, line to earth 4 kV
EN 61000-4-6		Conducted Radio Frequency Disturbances Test-CS
EN 61000-4-8		Power Frequency Magnetic Field Test
EN 61000-4-11		Voltage Dips
EN 61547		Electromagnetic Immunity Requirements Applies to Lighting Equipment

Class 1 LED Power Supply PS12-100W-100-277V

Mechanical Outline



Notes: (1) UL 48 Standard requires spacings between transformers, ballasts, neon power supplies and LED power supplies shall be at least 1 inch (25.4 mm) from end to end and 4 inches (101.6 mm) from side to side.
(2) The 2 DC output cables are connected in parallel internally because one AWG #18 wire can only carry 10A. Please connect the 2 red wires together and 2 black wires together in application, or ensure each cable carries same current.

Derating Curve

